

PARTS LIST

[CH-X1000]
[CH-X1000RF]

* All printed circuit boards and its assemblies are not available as service parts.

Area suffix

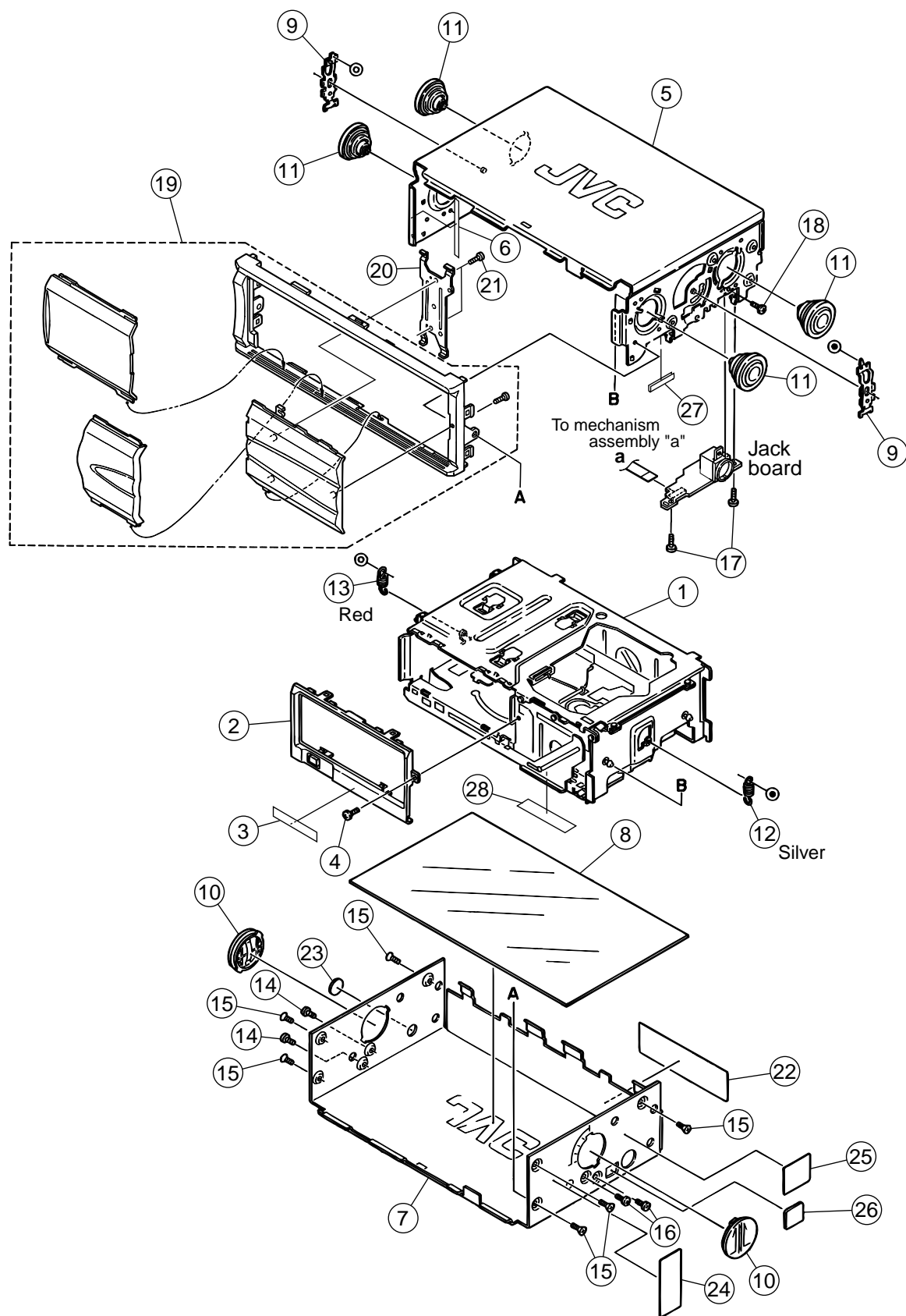
J ----- Northern America

- Contents -

Exploded view of general assembly and parts list	3- 2
CD changer mechanism assembly and parts list	3- 4
Electrical parts list	3- 7
Packing materials and accessories parts list	3-10

Exploded view of general assembly and parts list

Block No. M 1 M M



■ Parts list (General assembly)

Block No. M1MM

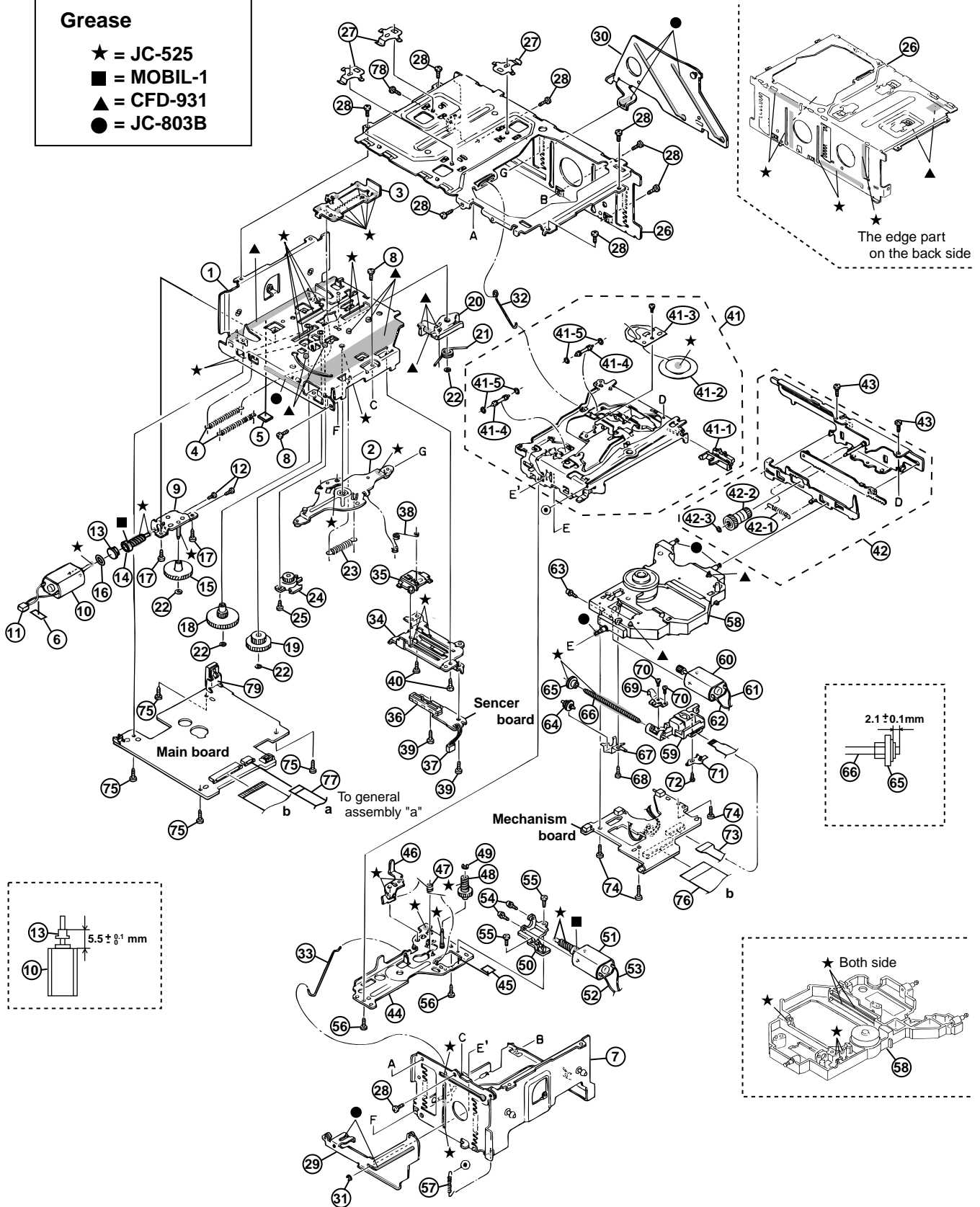
▲	Item	Parts number	Parts name	Q'ty	Description	Area
	1	-----	CH-X1000 MECHA	1	CD CHANGER MECHA	
	2	LV20065-002B	FITTING	1		
	3	LV40706-003A	CAUTION LABEL	1		
	4	QYSDST2004Z	SCREW	1		
	5	LV10040-007A	TOP COVER	1		
	6	VYSH101-031	SPACER	1		
	7	LV10041-013A	BOTTOM COVER	1		
	8	LV30632-001A	INSULATOR	1		
	9	LV42152-001A	BRACKET	2		
	10	LV30360-004A	DIRECTION KNOB	2		
	11	LV30451-002A	DAMPER	4		
	12	LV40345-003A	DAMPER SP(R)	1		
	13	LV40346-003A	DAMPER SP(L)	1		
	14	QYSDST2604M	SCREW	2		
	15	QYSSST2605M	SCREW	6		
	16	QYSDST2604M	SCREW	2		
	17	QYSDST2005Z	SCREW	2	PWB+TOP	
	18	QYSDST2606Z	SCREW	1	8P+TOP	
	19	LV20923-003A	F.PANEL ASS'Y	1		
	20	LV30786-003A-SL	HOLD BRACKET	1		
	21	QYSDSF2005M	T.SCREW	2	DOOR-3+HOLD BKT	
	22	LV32474-001A	NAME PLATE	1		
	23	VYSS2R2-028	SPACER	1		
	24	LV40762-001A	CAUTION LABEL	1		
	25	LV40487-003A	CAUTION LABEL	1		
	26	LV40528-005A	LABEL	1		
	27	VYSA1R4-056	SPACER	1		
	28	LV40847-001A	SPACER(H)	1		

CD changer mechanism assembly and parts list

Block No. M 2 M M

Grease

- ★ = JC-525
- = MOBIL-1
- ▲ = CFD-931
- = JC-803B



Parts list (CD changer mechanism)

Block No. M2MM

△	Item	Parts number	Parts name	Q'ty	Description	Area
	1	LV30096-004A	CHASSIS(L)ASSY	1		
	2	LV40123-006A	LIFT ARM ASSY	1		
	3	LV30098-003A	EJECT SLIDER	1		
	4	LV40126-005A	EJECT SPRING	2		
	5	VYSH102-102	SPACER	1		
	6	VYSA1R4-056	SPACER	1		
	7	LV30097-001A	CHASSIS(R) ASSY	1		
	8	QYSDST2004Z	SCREW	2		
	9	LV42097-001A	MOTOR BKT ASS'Y	1		
	10	PPN-13KA10C	MOTOR	1		
	11	WJM0017-001A	E-SI C WIRE C-F	1		
	12	QYSPSPT2025M	MINI SCREW	2		
	13	LV32442-001A	WORM DRIVE	1		
	14	LV32440-001A	WORM GEAR	1		
	15	LV32441-001A	WORM WHEEL(P)	1		
	16	QYWFM164025	WASHER	1		
	17	QYSDST2004Z	SCREW	2		
	18	LV40132-003A	THIRD GEAR	1		
	19	LV40133-005A	LIFTER GEAR	1		
	20	LV30100-002A	APLOCK ARM	1		
	21	LV40134-003A	M.LOCK SPRING	1		
	22	QYWDL163525-6	SLIT WASHER	4		
	23	LV40142-003A	LIFTER SPRING	1		
	24	LV40478-002A	EJECT DAMPER	1		
	25	QYSDSR2006Z	SCREW	1		
	26	LV10027-002A	TOP COVER	1		
	27	LV30101-004A	MAGAZINE SPRING	3		
	28	QYSDST2004Z	SCREW	9		
	29	LV30448-001A	FRONT SLIDER AS	1		
	30	LV30449-001A	REAR SLIDER ASS	1		
	31	LV42132-001A	E RING	1		
	32	LV40135-004A	ROD(U)	1		
	33	LV40136-003A	ROD(L)	1		
	34	LV30104-002A	SENSOR BRACKET	1		
	35	LV30105-001A	SENSOR HOLDER	1		
	36	QVY0002-B14	S V RESISTOR	1		
	37	WJM0017-002A	E-SI C WIRE C-F	1		
	38	LV40137-002A	SENSOR SPRING	1		
	39	QYSDST2004Z	SCREW	2		
	40	QYSDST2004Z	SCREW	2		
	41	LV20067-002A	LIFTER UNIT	1		
	41-1	LV30110-001A	HOOK	1		
	41-2	VKR3203-001	CLAMPER	1		
	41-3	VKL7938-001	CLAMPER GUIDE	1		
	41-4	VKS5587-002	DETECT ROLLER	2		
	41-5	VKZ4563-005	O RING	4		
	42	LV30148-004A	SIDE BKT UNIT	1		
	42-1	LV40190-002A	RETURN SP.(R)	1		

■ Parts list (CD changer mechanism)

Block No. M2MM

△	Item	Parts number	Parts name	Q'ty	Description	Area
	42-2	LV40148-003A	TRAY GEAR	1		
	42-3	QYWDL163525-6	SLIT WASHER	1		
	43	QYSDST2004Z	SCREW	2		
	44	LV40149-003A	L.BKT(L) ASSY	1		
	45	VYSA1R4-088	SPACER	1		
	46	LV30119-002A	SWITCH LEVER	1		
	47	LV40151-002A	SWITCH SPRING	1		
	48	LV40152-001A	WORM WHEEL(T)	1		
	49	REE1500X	E.RING	1		
	50	LV30120-001A	T.MOTOR HOLDER	1		
	51	PPN-13KA10C	MOTOR	1		
	52	QUB540-10A2A2	WIRE(T.MOTOR)	1		
	53	QUB541-11A2A2	WIRE(T.MOTOR)	1		
	54	QYSPSPL2004Z	SCREW	2		
	55	QYSDST2004Z	SCREW	2		
	56	QYSDST2004Z	SCREW	2		
	57	LV40474-003A	ELEVATOR SPRING	1		
	58	LV32806-001A	TRA MECHA UNIT	1		
	59	OPTIMA-725B1M	CD PICK UP	1		
	60	FF-050SK-11170	DC MOTOR	1		
	61	QUB456-04A2A2	WIRE(F.MOTOR)	1		
	62	QUB459-05A2A2	WIRE(F.MOTOR)	1		
	63	QYSPSPL2004Z	SCREW	1		
	64	LV40155-001A	MIDDLE GEAR	1		
	65	LV40156-001A	S.S. GEAR	1		
	66	LV40157-001A	SCREW SHAFT	1		
	67	LV30122-002A	SHAFT HOLDER	1		
	68	VKZ4248-204	MINI TAP SCREW	1		
	69	LV30123-001A	RACK ARM	1		
	70	QYSPSPT1722M	MINI SCREW	2		
	71	LV32438-001A	P.S.SPRING	1		
	72	QYSPSGT1425M	TAP SCREW	1		
	73	LV30450-004A	PICK FPC	1		
	74	QYSDST2006Z	SCREW	3		
	75	QYSDST2005Z	SCREW	4		
	76	QUQ710-2614BJ	FFC WIRE	1		
	77	QUQ110-1013BJ	FFC WIRE	1		
	78	QYSDSP2606Z	SCREW	1		
	79	VKL7059-002	P.W.B.BRACKET	1		

■ Electrical parts list (Main board)

Block No. 01

△	Item	Parts number	Parts name	Remarks	Area	△	Item	Parts number	Parts name	Remarks	Area
	C 101	QER41CM-106	E CAPACITOR	10MF 20% 16V			C 584	NCB31CK-473X	C CAPACITOR		
	C 102	NCS31HJ-821X	C CAPACITOR				C 585	QER41AM-107	E CAPACITOR	100MF 20% 10V	
	C 103	NCS31HJ-121X	C CAPACITOR				C 601	QERF0JM-107Z	E CAPACITOR	100MF 20% 6.3V	
	C 104	QERF0JM-476Z	E CAPACITOR	47MF 20% 6.3V			C 602	NCB31HK-103X	C CAPACITOR		
	C 105	QER41CM-106	E CAPACITOR	10MF 20% 16V			C 603	NCS31HJ-220X	C CAPACITOR		
	C 106	NCS31HJ-101X	C CAPACITOR				C 604	NCS31HJ-220X	C CAPACITOR		
	C 107	NCS31HJ-101X	C CAPACITOR				C 605	QERF0JM-476Z	E CAPACITOR	47MF 20% 6.3V	
	C 111	NCS31HJ-101X	C CAPACITOR				C 606	NCB31HK-103X	C CAPACITOR		
	C 112	NCB31HK-103X	C CAPACITOR				C 609	QERF0JM-107Z	E CAPACITOR	100MF 20% 6.3V	
	C 201	QER41CM-106	E CAPACITOR	10MF 20% 16V			C 610	NCB31CK-104X	C CAPACITOR		
	C 202	NCS31HJ-821X	C CAPACITOR				C 611	NCB31CK-104X	C CAPACITOR		
	C 203	NCS31HJ-121X	C CAPACITOR				C 612	NCB31CK-104X	C CAPACITOR		
	C 204	QERF0JM-476Z	E CAPACITOR	47MF 20% 6.3V			C 651	NCB31HK-103X	C CAPACITOR		
	C 205	QER41CM-106	E CAPACITOR	10MF 20% 16V			C 901	QEZ0338-228	E CAPACITOR	2200MF	
	C 206	NCS31HJ-101X	C CAPACITOR				C 902	NCB31HK-103X	C CAPACITOR		
	C 207	NCS31HJ-101X	C CAPACITOR				C 906	NCS31HJ-101X	C CAPACITOR		
	C 501	NCB31HK-103X	C CAPACITOR				C 907	NCS31HJ-101X	C CAPACITOR		
	C 502	NCB31HK-103X	C CAPACITOR				C 912	QERF1CM-107Z	E CAPACITOR	100MF 20% 16V	
	C 503	QERF0JM-107Z	E CAPACITOR	100MF 20% 6.3V			C 913	QER41AM-107	E CAPACITOR	100MF 20% 10V	
	C 504	NCB31HK-103X	C CAPACITOR				C 914	NCB31HK-103X	C CAPACITOR		
	C 505	QERF0JM-107Z	E CAPACITOR	100MF 20% 6.3V			C 915	NCB31HK-103X	C CAPACITOR		
	C 507	NCB31HK-682X	C CAPACITOR				C 941	QER41AM-107	E CAPACITOR	100MF 20% 10V	
	C 508	NCB31HK-103X	C CAPACITOR				C 942	NCB31HK-103X	C CAPACITOR		
	C 509	QERF0JM-107Z	E CAPACITOR	100MF 20% 6.3V			C 943	QER41CM-476	E CAPACITOR	47MF 20% 16V	
	C 510	NCB31CK-104X	C CAPACITOR				C 944	NCB31HK-103X	C CAPACITOR		
	C 511	NCB31CK-104X	C CAPACITOR				C 945	NCB31HK-103X	C CAPACITOR		
	C 512	NCS31HJ-820X	C CAPACITOR				C 946	QER41CM-106	E CAPACITOR	10MF 20% 16V	
	C 513	NCB31HK-103X	C CAPACITOR				C 951	NCB31HK-103X	C CAPACITOR		
	C 514	NDC31HJ-5R0X	C CAPACITOR				C 982	NCB31HK-103X	C CAPACITOR		
	C 521	NCB31HK-103X	C CAPACITOR				C 983	QER41CM-476	E CAPACITOR	47MF 20% 16V	
	C 522	QERF0JM-107Z	E CAPACITOR	100MF 20% 6.3V			CN501	QGF1013F1-15X	FPC CONNE		
	C 523	NCS31HJ-470X	C CAPACITOR				CN502	QGF1012F1-26X	FPC CONNE		
	C 524	NCB31HK-153X	C CAPACITOR				CN503	QGF1009F2-26	CONNECTOR		
	C 525	NCB31HK-103X	C CAPACITOR				CN504	QGA2501F1-02	CONNECTOR		
	C 526	NCB31HK-272X	C CAPACITOR				CN601	QGA2501F1-03	CONNECTOR		
	C 527	NCB31HK-103X	C CAPACITOR				CN902	QNZ0095-001	CONNECTOR		
	C 528	NCB31EK-333X	C CAPACITOR				CN903	QGF1013F1-10X	FPC CONNECTOR		
	C 529	QERF0JM-107Z	E CAPACITOR	100MF 20% 6.3V			CN904	QGF1009F2-10	CONNECTOR		
	C 530	NCB31EK-333X	C CAPACITOR				D 101	HSM2836C-W	DIODE		
	C 531	NCB31CK-473X	C CAPACITOR				D 583	DSK10C-T1	DIODE		
	C 533	NCS31HJ-471X	C CAPACITOR				D 584	DSK10C-T1	DIODE		
	C 534	NCS31HJ-471X	C CAPACITOR				D 585	DSK10C-T1	DIODE		
	C 535	NCB31CK-473X	C CAPACITOR				D 911	DSK10C-T1	DIODE		
	C 536	NCB31CK-473X	C CAPACITOR				D 912	UDZS6.2B-X	SI DIODE		
	C 537	NCB31CK-473X	C CAPACITOR				D 913	HSM2836C-W	DIODE		
	C 538	NCB31CK-473X	C CAPACITOR				D 921	HSM2838C-W	DIODE		
	C 539	QERF0JM-107Z	E CAPACITOR	100MF 20% 6.3V			D 941	UDZS10B-X	ZENER DIODE		
	C 540	NCB31HK-103X	C CAPACITOR				D 951	UDZS5.1B-X	Z DIODE		
	C 541	NCB31HK-103X	C CAPACITOR				D 981	UDZS9.1B-X	Z DIODE		
	C 542	NDC31HJ-100X	C CAPACITOR				F 901	ICP-N70	IC PROTECTOR		
	C 543	NDC31HJ-100X	C CAPACITOR				IC101	BA15218F-XE	IC		
	C 544	NCB31HK-103X	C CAPACITOR				IC501	TA2147F-X	IC		
	C 545	QERF0JM-107Z	E CAPACITOR	100MF 20% 6.3V			IC521	TC9490FA	IC		
	C 546	NCS31HJ-101X	C CAPACITOR				IC581	FAN8037	IC		
	C 547	QERF0JM-107Z	E CAPACITOR	100MF 20% 6.3V			IC601	UPD780058GC-242	IC		
	C 548	QERF0JM-107Z	E CAPACITOR	100MF 20% 6.3V			IC602	IC-PST9333U-X	IC		
	C 549	NCB31HK-103X	C CAPACITOR				IC604	BR24C01AF-W-X	IC		
	C 550	QER41HM-105	E CAPACITOR	1.0MF 20% 50V			IC651	HD74HC126FP-X	IC		
	C 551	QERF0JM-107Z	E CAPACITOR	100MF 20% 6.3V			L 521	QLL244K-4R7Z	INDUCTOR		
	C 552	NCB31HK-103X	C CAPACITOR				L 522	QLL244K-4R7Z	INDUCTOR		
	C 581	QER41AM-227	E CAPACITOR	220MF 20% 10V			L 523	QLL244K-4R7Z	INDUCTOR		
	C 582	NCB31HK-103X	C CAPACITOR				L 524	QLL244K-4R7Z	INDUCTOR		
	C 583	QERF1CM-226Z	E CAPACITOR	22MF 20% 16V			L 601	QLL244K-4R7Z	INDUCTOR		

■ Electrical parts list (Main board)

Block No. 01

△	Item	Parts number	Parts name	Remarks	Area	△	Item	Parts number	Parts name	Remarks	Area
	Q 101	2SD1048/6-7/-X	TRANSISTOR				R 535	NRSA63J-472X	MG RESISTOR		
	Q 201	2SD1048/6-7/-X	TRANSISTOR				R 536	NRSA63J-472X	MG RESISTOR		
	Q 501	2SB1241/QR/-T	TRANSISTOR				R 537	NRSA63J-472X	MG RESISTOR		
	Q 581	2SB1322/RS/-T	TRANSISTOR				R 538	NRSA63J-103X	MG RESISTOR		
	Q 582	DTA114EKA-X	D.TRANSISTOR				R 539	NRSA63J-105X	MG RESISTOR		
	Q 583	DTC114EKA-X	TRANSISTOR				R 581	NRSA63J-122X	MG RESISTOR		
	Q 602	2SC2412K/R/-X	TRANSISTOR				R 582	NRSA63J-183X	MG RESISTOR		
	Q 901	2SA1037AK/R/-X	TRANSISTOR				R 583	NRSA63J-332X	MG RESISTOR		
	Q 902	DTC114EKA-X	TRANSISTOR				R 584	NRSA63J-821X	MG RESISTOR		
	Q 911	2SD1994A/RS/-T	TRANSISTOR				R 585	NRSA63J-682X	MG RESISTOR		
	Q 921	2SC2412K/R/-X	TRANSISTOR				R 586	NRSA63J-682X	MG RESISTOR		
	Q 922	2SA1037AK/R/-X	TRANSISTOR				R 587	NRSA63J-682X	MG RESISTOR		
	Q 941	2SB941A/QP/	TRANSISTOR				R 588	NRSA63J-822X	MG RESISTOR		
	Q 942	2SD1994A/RS/-T	TRANSISTOR				R 591	NRSA63J-272X	MG RESISTOR		
	Q 943	DTA114EKA-X	D.TRANSISTOR				R 593	NRSA63J-103X	MG RESISTOR		
	Q 944	DTC114EKA-X	D.TRANSISTOR				R 595	NRSA63J-333X	MG RESISTOR		
	Q 971	2SA1037AK/R/-X	TRANSISTOR				R 596	NRSA63J-103X	MG RESISTOR		
	Q 972	2SC2412K/R/-X	TRANSISTOR				R 597	QRE141J-472	C RESISTOR	4.7K 5% 1/4W	
	Q 981	2SD1994A/RS/-T	TRANSISTOR				R 598	QRT017J-R47	MF RESISTOR	5% 1/1W	
	R 101	NRSA63J-203X	MG RESISTOR				R 601	NRSA63J-222X	MG RESISTOR		
	R 102	NRSA63J-123X	MG RESISTOR				R 602	NRSA63J-103X	MG RESISTOR		
	R 103	NRSA63J-333X	MG RESISTOR				R 603	NRSA63J-472X	MG RESISTOR		
	R 104	NRSA63J-223X	MG RESISTOR				R 604	NRSA63J-472X	MG RESISTOR		
	R 105	NRSA63J-223X	MG RESISTOR				R 605	NRSA63J-472X	MG RESISTOR		
	R 106	NRSA63J-103X	MG RESISTOR				R 606	NRSA63J-103X	MG RESISTOR		
	R 107	NRSA63J-471X	MG RESISTOR				R 607	NRSA63J-103X	MG RESISTOR		
	R 108	NRSA63J-682X	MG RESISTOR				R 609	NRSA63J-473X	MG RESISTOR		
	R 112	NRSA63J-470X	MG RESISTOR				R 610	NRSA63J-473X	MG RESISTOR		
	R 201	NRSA63J-203X	MG RESISTOR				R 611	NRSA63J-473X	MG RESISTOR		
	R 202	NRSA63J-123X	MG RESISTOR				R 612	NRSA63J-473X	MG RESISTOR		
	R 203	NRSA63J-333X	MG RESISTOR				R 614	NRSA63J-473X	MG RESISTOR		
	R 204	NRSA63J-223X	MG RESISTOR				R 617	NRSA63J-103X	MG RESISTOR		
	R 205	NRSA63J-223X	MG RESISTOR				R 618	NRSA63J-102X	MG RESISTOR		
	R 206	NRSA63J-103X	MG RESISTOR				R 619	NRSA63J-103X	MG RESISTOR		
	R 207	NRSA63J-471X	MG RESISTOR				R 620	NRSA63J-104X	MG RESISTOR		
	R 208	NRSA63J-682X	MG RESISTOR				R 621	NRSA63J-473X	MG RESISTOR		
	R 503	NRSA63J-683X	MG RESISTOR				R 622	NRSA63J-103X	MG RESISTOR		
	R 504	NRSA63J-683X	MG RESISTOR				R 623	NRSA63J-473X	MG RESISTOR		
	R 505	NRSA63J-334X	MG RESISTOR				R 625	NRSA63J-472X	MG RESISTOR		
	R 506	NRSA63J-334X	MG RESISTOR				R 626	NRSA63J-473X	MG RESISTOR		
	R 507	NRSA02J-220X	MG RESISTOR				R 651	NRSA63J-223X	MG RESISTOR		
	R 508	NRSA02J-220X	MG RESISTOR				R 652	NRSA63J-101X	MG RESISTOR		
	R 509	NRSA63J-823X	MG RESISTOR				R 653	NRSA63J-223X	MG RESISTOR		
	R 510	NRSA63J-473X	MG RESISTOR				R 654	NRSA63J-334X	MG RESISTOR		
	R 511	NRSA63J-103X	MG RESISTOR				R 655	NRSA63J-101X	MG RESISTOR		
	R 512	NRSA63J-202X	MG RESISTOR				R 656	NRSA63J-223X	MG RESISTOR		
	R 513	NRSA63J-102X	MG RESISTOR				R 657	NRSA63J-334X	MG RESISTOR		
	R 514	NRSA63J-273X	MG RESISTOR				R 658	NRSA63J-331X	MG RESISTOR		
	R 515	NRSA63J-101X	MG RESISTOR				R 659	NRSA63J-104X	MG RESISTOR		
	R 516	NRSA63J-821X	MG RESISTOR				R 660	NRSA63J-103X	MG RESISTOR		
	R 517	NRSA63J-223X	MG RESISTOR				R 661	NRSA63J-104X	MG RESISTOR		
	R 518	NRSA63J-333X	MG RESISTOR				R 901	NRSA63J-103X	MG RESISTOR		
	R 519	NRSA63J-151X	MG RESISTOR				R 902	NRSA63J-392X	MG RESISTOR		
	R 521	NRSA63J-562X	MG RESISTOR				R 903	NRSA02J-222X	MG RESISTOR		
	R 522	NRSA63J-473X	MG RESISTOR				R 911	NRSA63J-472X	MG RESISTOR		
	R 523	NRSA63J-474X	MG RESISTOR				R 912	NRSA02J-2R2X	MG RESISTOR		
	R 524	NRSA63J-153X	MG RESISTOR				R 921	NRSA63J-273X	MG RESISTOR		
	R 525	NRSA63J-103X	MG RESISTOR				R 923	NRSA63J-184X	MG RESISTOR		
	R 527	NRSA63J-101X	MG RESISTOR				R 924	NRSA63J-682X	MG RESISTOR		
	R 528	NRSA63J-101X	MG RESISTOR				R 925	NRSA63J-223X	MG RESISTOR		
	R 531	NRSA63J-101X	MG RESISTOR				R 926	NRSA63J-223X	MG RESISTOR		
	R 532	NRSA63J-101X	MG RESISTOR				R 941	NRSA63J-100X	MG RESISTOR		
	R 534	NRSA63J-472X	MG RESISTOR				R 942	NRSA63J-471X	MG RESISTOR		

■ Electrical parts list (Main board)

Block No. 01

△	Item	Parts number	Parts name	Remarks	Area
	R 943	NRSA63J-332X	MG RESISTOR		
	R 951	NRSA63J-122X	MG RESISTOR		
	R 954	NRSA63J-272X	MG RESISTOR		
	R 971	NRSA63J-223X	MG RESISTOR		
	R 972	NRSA63J-222X	MG RESISTOR		
	R 973	NRSA63J-104X	MG RESISTOR		
	R 981	NRSA63J-221X	MG RESISTOR		
	R 982	NRSA63J-221X	MG RESISTOR		
	S 601	VSH1173-001	SWITCH		
	S 602	VSH1173-001	SWITCH		
	S 603	VSH1173-001	SWITCH		
	S 604	VSH1173-001	SWITCH		
	S 606	QSW0643-001Z	TACT SWITCH		
	X 521	QAX0413-001Z	CRYSTAL		
	X 601	QAX0414-001Z	CRYSTAL		

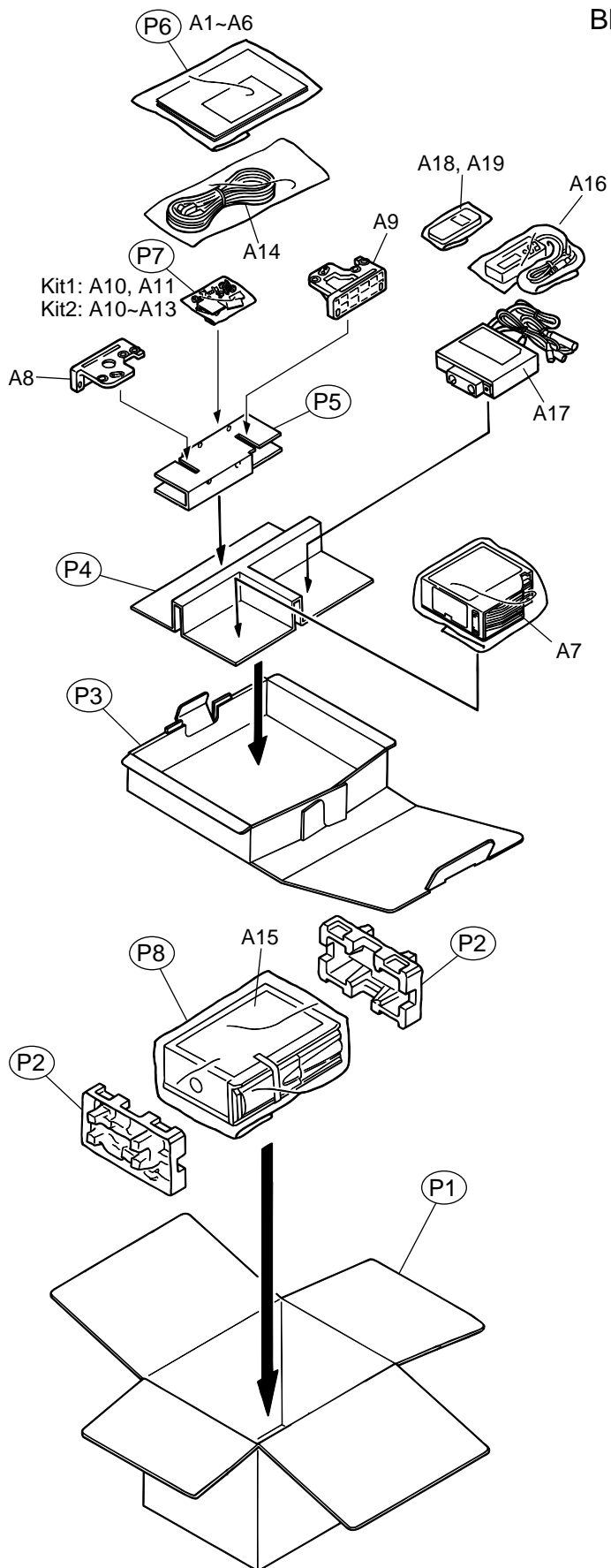
Packing materials and accessories parts list

Block No.

M	3	M	M
---	---	---	---

Block No.

M	4	M	M
---	---	---	---



Parts list (Packing)

Block No. M3MM

△	Item	Parts number	Parts name	Q'ty	Description	Area
	P 1	LV32476-001A	PACKING CASE	1	CH-X1000	
		LV32478-001A	PACKING CASE	1	CH-X1000RF	
	P 2	LV10057-202A	PAPER CUSHION	2		
	P 3	LV30453-003A	ACCESSARY BOX	1		
	P 4	LV30575-002A	SEPALATOR	1		
	P 5	LV30576-002A	SPACER	1	FOR MAGAZINE	
	P 6	QPA01703505P	POLY BAG	1	INST	
	P 7	QPA00801205	POLY BAG	1	SCREW SA	
	P 8	VPE3005-065	POLY BAG	1		

Parts list (Accessories)

Block No. M4MM

△	Item	Parts number	Parts name	Q'ty	Description	Area
	A 1	LVT0580-001A	INST BOOK	1	ENG,SPA,FRE	
		LVT0407-001A	INST BOOK	1	CH-X1000RF	
	A 2	BT-52004-1	WARRANTY CARD	1		
		BT-51018-2	WARRANTY CARD	1		
	A 3	BT-51020-2	J=REGIST CARD	1		
	A 4	BT-20071B-S	JVC CENTER LIST	1		
	A 5	LVT0327-001B	TROUBLE SHOOTIN	1		
	A 6	LV41155-001A	INFO. SHEET	1		
	A 7	LV30682-205A-CL	MAGAZINE ASS'Y	1		
	A 8	LV20738-002A	MOUNT HOLDER(L)	1		
	A 9	LV20737-002A	MOUNT HOLDER(R)	1		
	A 10	QYSDSP4008Z	SCREW	4		
	A 11	VKZ4029-003	SCREW	4	M5X20	
	A 12	VYTT546-004	SHEET(B)	2	CH-X1000RF	
	A 13	VYTT547-004	SHEET(A)	2	CH-X1000RF	
	A 14	QAM0080-001	8P BUS-BUS CORD	1	CH-X1000	
		QAM0149-001	8P BUS-BUS CORD	1	CH-X1000RF	
	A 15	LV40507-001A	INST SHEET	1		
	A 16	LV41528-001A	CD CONTRPL UNIT	1	CH-X1000RF	
	A 17	LV41530-002A	RF UNIT	1	CH-X1000RF	
	A 18	RM-RK33	W.LESS REMOCON	1	CH-X1000RF	
	A 19	QAB0014-001	BATTERY	1	CH-X1000RF	
	KIT 1	CHX99J-SCREW1	SCREW KIT	1	A10 A11(X1000)	
	KIT 2	CHX99RF-SCREW1	SCREW PARTS KIT	1	A10-A13(X1000RF)	